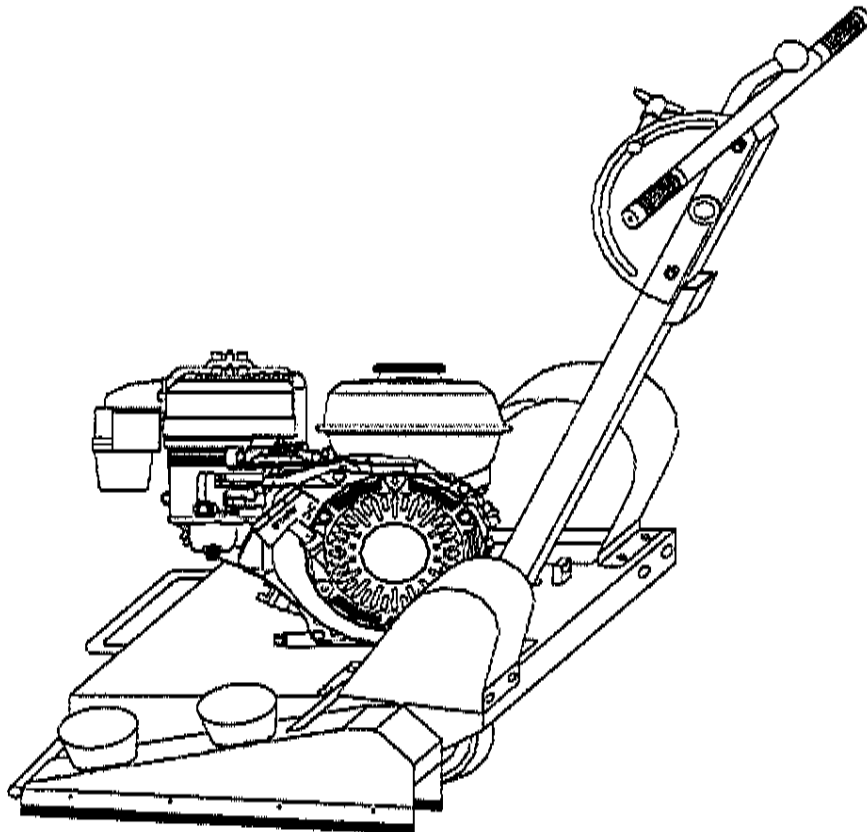


U.S. SAWS

Surface Preparation

CC100 Crack Chaser

Operating Manual



Introduction

The CC100 crack chaser was designed to cut to depths up to 1". It was designed to be used with an appropriate vacuum system. Due to the amount of dust generated by this machine it is necessary for such a vacuum system. Always operate this machine in a well ventilated area, as it emits carbon monoxide fumes, which are colorless and odorless and can kill. Read this manual in it's entirety prior to operating the machine and make sure to follow all safety regulations. Since safety regulations vary between different countries and states, you must contact the proper authorities and follow all appropriate regulations.

Important Safety Instructions

No person should attempt to operate this machine without first being trained in the operation of industrial cutting and grinding tools. These instructions are not intended as a substitute for training experience. The operator must observe safeguards that include, but are not limited to, the following:

- DO NOT MODIFY ANY MACHINE FROM IT'S ORIGINAL DESIGN WITHOUT THE WRITTEN PERMISSION OF THE MANUFACTURER. UNAUTHORIZED MODIFICATIONS CAN LEAD TO SERIOUS INJURY OR DEATH TO YOURSELF OR OTHERS.
- DO NOT use any blade marked for less than 8,775 RPM.
- DO NOT service the machine or change blade without first disconnecting the power.
- DO NOT install a blade before inspecting the blade for damage.
- DO NOT operate with a damaged blade. A damaged blade may fly apart and cause serious injury or death.
- DO NOT use a blade that wobbles when mounted on the machine,
- Verify blade is correct for application before use.
- Verify blade rotation matches the direction arrow on the blade guard.
- DO NOT apply power to the machine before spinning the blade by hand to check alignment.
- DO NOT operate with any loose nuts or bolts. Check all nuts and bolts for tightness.
- DO NOT operate without appropriate eye, ear, foot, hand, and breathing protection.
- DO NOT operate around any loose or foreign objects that may damage the system.
- DO NOT operate if arbor shaft has excessive end play.
- DO NOT cut material that the blade is not designed for.
- DO NOT operate machine near combustible material or fumes.
- DO NOT operate without appropriate dust collection system.
- DO NOT force blade through material to be ground. Always ease blade through material.

CC100 Crack Chaser Operating Instructions

Operating the Machine

- Always start the machine with the handle in the UP position (blade off ground)
- Allow several minutes for the machine to "warm up". Then slowly lower the blade into the surface via the handle controls.
- Guide the machine along the crack, but DO NOT cut more than 3/4" deep per pass as the blade may overheat.

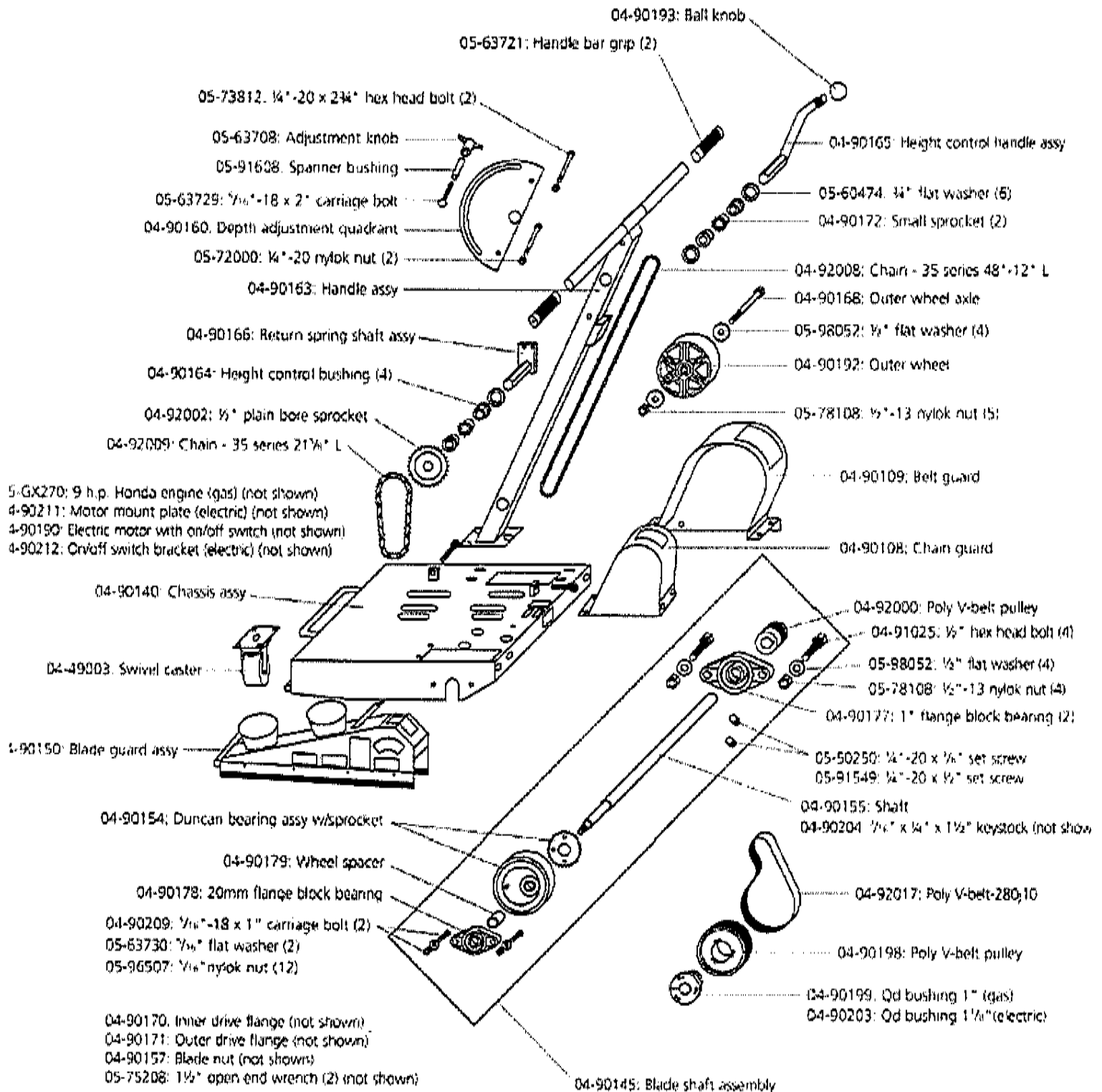
Maintenance

- Clear the air filter after each day of operation. See Honda engine manual for detailed instructions.
- Grease the shaft bearings after each days operation with heavy ball bearing grease.
- Inspect the blade and ensure that it is not damaged. Do not use a damaged blade.
- Wash the machine thoroughly after each days use, do not allow muffler to become clogged or dirt to accumulate between the cooling fins and around the throttle linkages
- Check the belt tension after the first hours of operation and daily thereafter. Adjust belt tension by loosening motor bolts, and turn the 1/2" belt tension adjusting screw so that the belt deflects no more than 1/16" under moderate finger pressure. Tighten all bolts before operation.
- Change spark plug every 100 hours of operation.

Changing the Blade (Only after turning engine off and/or disconnecting the electrical power)

- Access to the blade is very quick and convenient, simply rotate the blade guard on it's arm 180 degrees backward.
- Proceed to change or service the blade as needed.
- Replace the blade guard by rotating the blade guard 180 degrees forward.
- NEVER start the motor or run the motor with the blade guard up.

CC100 Crack Chaser - Parts Breakdown



Blade Cutting Speeds

1/2" Depth	1/4" Width	Concrete	12ft/min.
1/2" Depth	1/4" Width	Concrete	10ft/min.
1/2" Depth	3/8" Width	Concrete	8-10 ft/min.
1/2" Depth	1/4" Width	Asphalt	15ft/min.
1/2" Depth	1/4" Width	Asphalt	15 ft/min.
1/2" Depth	3/8" Width	Asphalt	10-12ft/min.

Part Number	Description
SX90102	CC100 9 HP Honda gas powered stand up crack chasing saw with vacuum hose adapter.
CCB06250PD	6"x.250"x5/8" Rectangular Segments with DPH and Kicker Segments
CCB06375PD	6"x.375"x5/8" Rectangular Segments with DPH and Kicker Segments
CCB06500PD	6"x.500"x5/8" Rectangular Segments with DPH and Kicker Segments
CCB06250PVD	6"x.250"x5/8" "V" Shaped Segments with DPH and Kicker Segments
CCB06375PVD	6"x.375"x5/8" "V" Shaped Segments with DPH and Kicker Segments
CCB06500PVD	6"x.500"x5/8" "V" Shaped Segments with DPH and Kicker Segments

Warranty

This document is not to be used as a guide in determining policies and procedures for US Saws and Blades Incorporated (USSB Inc) products. It is to be used in determining whether a warranty is justified and as a procedural guide in completing a USSB Inc warranty claim form.

Warranty Responsibility

The distributor or the end user must prepare a Machine Warranty Information Card when the machine is delivered. Failure to comply will make any and all warranties on this equipment null and void. Credit for warranty repairs will be given only after receipt of the WARRANTY CLAIM FORM, properly completed with all the required details. Submittal details are described later in this document.

Warranty Policy

1. USSB Inc. warrants its products against defects in material and workmanship under normal and proper use for a period of 90 days from the date of delivery; in the case of Rental Fleet Machines, date of assignment to Rental Fleet. Such warranty is extended only to the buyer who purchases the equipment directly from USSB Inc or its authorized distributor. This warranty does not include expendable parts, such as, but not limited to, plugs, cutters, blades, blast wheel, wear parts, liners, and seals.
2. The obligation under this warranty is strictly limited to the replacement or repair, at USSB Inc's opinion, of machines and does not include the cost of transportation, loss of operating time, or normal maintenance services.
3. This warranty does not apply to failure occurring as a result of abuse, misuse, negligence, corrosion, erosion, normal wear and tear, alterations or modifications made to the machine without express written consent of USSB Inc.
4. Warranty request must be submitted in writing within 30 days after failure.
5. Written authorization to return merchandise under warranty must first be obtained from USSB Inc.
6. USSB Inc reserves the right to inspect and make the final decision on any merchandise returned under warranty.
7. USSB Inc offers no warranty with respect to accessories, including, but not limited to, engines, motors, batteries, tires, and any other parts not manufactured by us but which the original manufacturer warrants.
8. USSB Inc reserves the right to make product changes or improvements without prior notice and without imposing any obligation upon itself to install the same on its products previously sold.
9. The above warranty conditions can only be altered by USSB Inc. USSB Inc must confirm alterations in writing for each specific transaction.
10. USSB Inc reserves the right to establish specific warranty terms for use or demo machines on an individual transaction basis. Invoices covering such merchandise will clearly state the provisions of the applicable warranty for each specific transaction.
11. WE DO NOT AUTHORIZE ANY PERSON, REPRESENTATIVE OR SERVICE OR SALES ORGANIZATION TO MAKE ANY OTHER WARRANTY OR TO ASSUME FOR US ANY LIABILITY IN CONNECTION WITH THE SALE OF OUR PRODUCTS OTHER THAN THOSE CONTAINED HEREIN.
12. UNDER NO CIRCUMSTANCES SHALL USSB INC BE LIABLE TO CUSTOMER OR ANY OTHER PERSON FOR ANY DIRECT, INCIDENTAL, OR CONSEQUENTIAL DAMAGES RESULTING FROM THE USE OF THE PRODUCT OR ARISING OUT OF ANY BREACH OF ANY WARRANTY OR FOR ANY SPECIAL OR CONSEQUENTIAL DAMAGES OF ANY CHARACTER, INCLUDING WITHOUT LIMITATIONS, DAMAGES FOR ANY LOSS OF GOODWILL, WORK STOPPAGE, OR ANY AND ALL OTHER COMMERCIAL DAMAGES OR LOSSES.
13. USSB INC WARRANTY IS EXPRESSLY IN LIEU OF ANY OTHER WARRANTIES, EXPRESSED, IMPLIED, OR STATUTORY INCLUDING ANY WARRANTY OF MERCHANTABILITY OR FITNESS FOR PARTICULAR PURPOSE, WHICH WARRANTIES ARE EXCLUDED.

U.S. SAWS

Machine Warranty Information Card

Company Name

Name

Address

Intended Use

Serial Number
